

# HACH 5500sc SILICA ANALYZER

**DASTECS** S.R.L.

**Distribuidores Autorizados**

Buenos Aires, Argentina

Tel.: (54-11) 5352-2500

E-mail: [info@dastecsrl.com.ar](mailto:info@dastecsrl.com.ar)

Web: [www.dastecsrl.com.ar](http://www.dastecsrl.com.ar)



## Applications

- Power

## Lower Maintenance, Less Downtime

Delivering reliable results that save you critical time and effort.

### 90 Days of Continuous Run Time

Only two liters of reagent are required for the analyzer to perform unattended for up to 90 days; twice as long as the Series 5000.

### Save Time on Maintenance

The industry's only pressurized reagent delivery system eliminates the frequent maintenance associated with pumps.

### Avoid Downtime

Predictive diagnostic tools, including Hach's proprietary Prognosis technology, warning LEDs, and high-visibility notification screens let you avoid unplanned downtime.

### Clean, Fast and Easy Reagent Change

No more dripping reagents on the instrument, the floor, or your clothing while fumbling with tubes and straws. Simply match the color-coded cap to the sealed reagent bottle and twist gently.

### Verify Easily with Hach Lab Products So You Don't Waste Time Second-guessing

Grab Sample In and Grab Sample Out features allow quick analysis of a grab sample poured into the analyzer, and facilitate taking a sample out of the analyzer to verify in a lab test.



Be Right™

## Specifications\*

<b>Measuring Principle</b>	Colorimetric
<b>Range</b>	0 to 5000 µg/L as SiO <sub>2</sub>
<b>Accuracy</b>	0–500 µg/L: ±1% or ±1 µg/L of reading, whichever is greater; 500–5000 µg/L: ±5%
<b>Repeatability</b>	± 0.5 µg/L or ± 1 % of reading, whichever is greater
<b>Lower Limit of Detection (LOD)</b>	0.5 µg/L
<b>Response Time</b>	Typically, 9.5 minutes at 25 °C (77 °F); changes with temperature
<b>Reagent Consumption</b>	2 L of each reagent every 90 days with 15 minute cycle time
<b>Operating Temperature Range</b>	5 to 45 °C (41 - 113 °F)
<b>Operating Humidity</b>	5 to 95 % non-condensing (indoor use only)
<b>Sample Pressure</b>	2 to 87 psi (to Preset Pressure Regulator)
<b>Sample Temperature</b>	5 to 50 °C (41 - 122 °F)
<b>Sample Flow Rate</b>	55 to 300 mL/min
<b>No. of Channels</b>	1, 2, 4, 6; programmable sequence
<b>Grab Sample</b>	Grab Sample In and Grab Sample Out capability

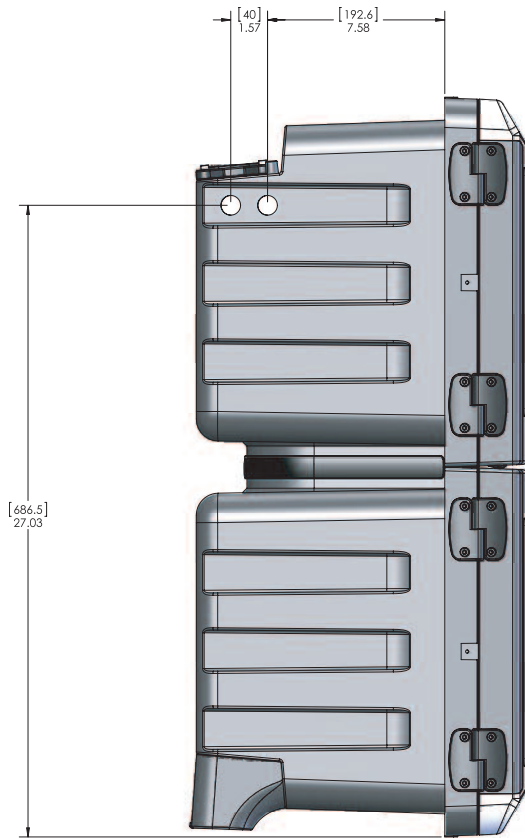
<b>Mounting</b>	Wall, panel or table
<b>Fitting</b>	Sample line and sample bypass drain: 6 mm (¼-in.)  Air purge inlet: 6 mm (¼-in.)
<b>Output</b>	4 to 20 mA
<b>Dimensions (H x W x D)</b>	31.7 in x 17.8 in x 14.2 in (804 mm x 452 mm x 360 mm)
<b>Enclosure Rating</b>	NEMA 4X/IP56
<b>Certifications</b>	CE (EN 61326-1: 2006; EN 61010-1: 2010; EN 60529: 1991, +A1:2000 )  KC (EN 61326-1: 2006)  C-tick (EN 61326-1: 2006)  cETLus (UL 61010-1: 2012; NEMA 250: 2003; CSA C22.2 No 61010-1: 2012)

*\*Subject to change without notice.*

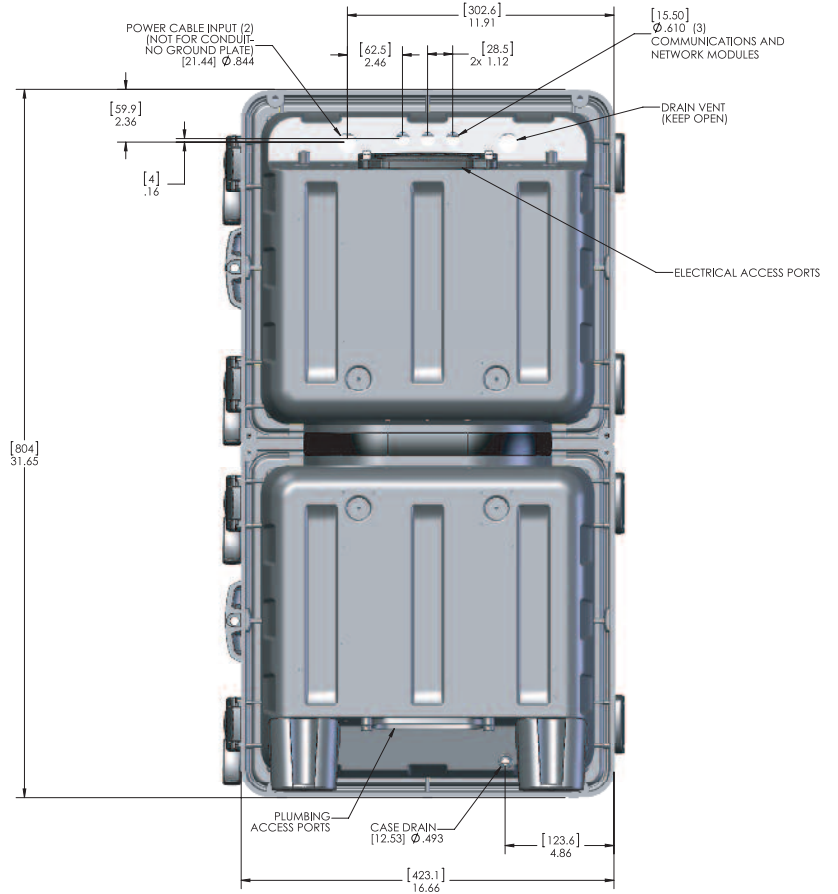
## Principle of Operation

Silica in the sample reacts with molybdate ions under acidic conditions to form silicomolybdic acid complexes. Addition of citric acid destroys the phosphate complexes. Amino Acid Reagent is then added to reduce the yellow silicomolybdic acid to an intense blue color, which is proportional to the silica concentration. Test results are measured at 815 nm.

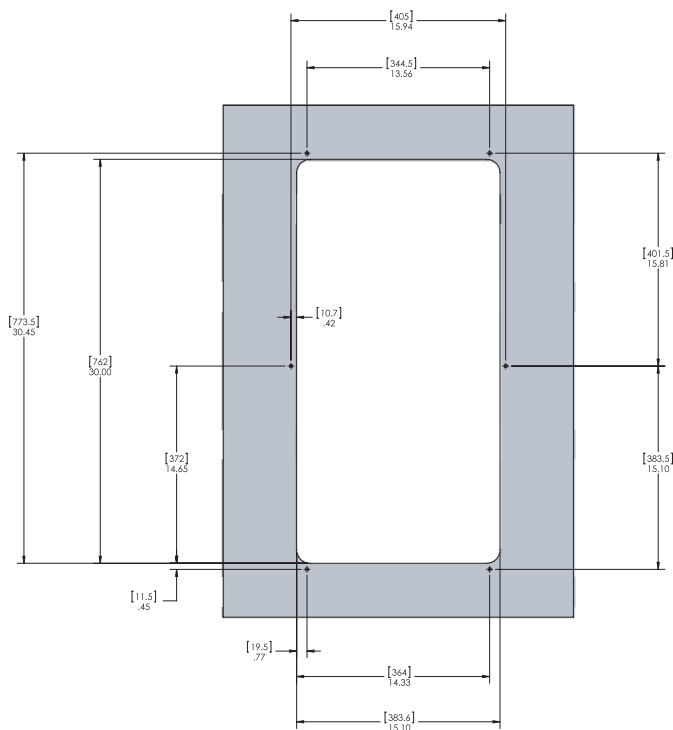
### Dimensions



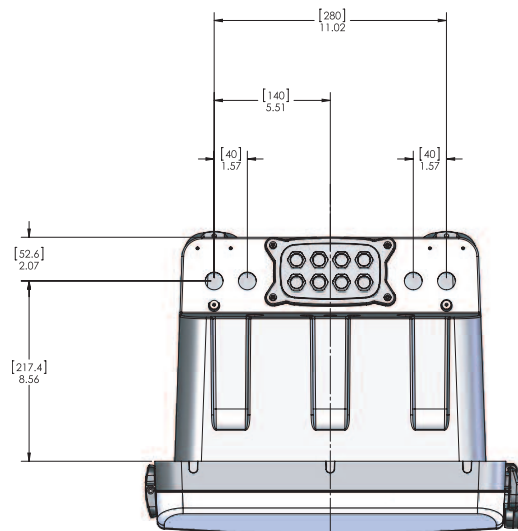
RIGHT SIDE VIEW



REAR VIEW



PANEL CUTOUT



TOP VIEW

## Ordering Information

- 5500.KTO.S0.A1U** Hach 5500sc Silica Analyzer, Proprietary chemistry only, AC, 1 channel, includes Hach reagents set for start up and up to 90 days of use
- 5500.KTO.S0.A2U** Hach 5500sc Silica Analyzer, Proprietary chemistry only, AC, 2 channels, includes Hach reagents set for start up and up to 90 days of use
- 5500.KTO.S0.A4U** Hach 5500sc Silica Analyzer, Proprietary chemistry only, AC, 4 channels, includes Hach reagents set for start up and up to 90 days of use
- 5500.KTO.S0.A6U** Hach 5500sc Silica Analyzer, Proprietary chemistry only, AC, 6 channels, includes Hach reagents set for start up and up to 90 days of use

## Reagents

- 6783600** 5500sc Silica Reagent set
- 6774802** 5500Sc Reagent 1 Silica 2L
- 6774902** 5500Sc Reagent 2 Silica 2L
- 6775102** 5500Sc Reagent 3 Silica Pkg
- 6775002** 5500Sc Standard 1 Silica 2L

## Accessories/Options

- 6787000** Kit, Retrofit Panel, S5000 to 5500sc
- 9179700** Power Cord, North American
- 6786600** Stainless Steel Sample Adapter Kit
- 1757700** Sample Cooler
- 6792500** Module Kit, ModBus (sc200)
- 6792600** Module Kit, Profibus (sc200)

**DASTEC** S.R.L.

**Distribuidores Autorizados**

Buenos Aires, Argentina

Tel.: (54-11) 5352-2500

E-mail: [info@dastecsrl.com.ar](mailto:info@dastecsrl.com.ar)

Web: [www.dastecsrl.com.ar](http://www.dastecsrl.com.ar)

## HACH COMPANY World Headquarters: Loveland, Colorado USA

United States: 800-227-4224 tel 970-669-2932 fax [orders@hach.com](mailto:orders@hach.com)

Outside United States: 970-669-3050 tel 970-461-3939 fax [int@hach.com](mailto:int@hach.com)

[hach.com](http://hach.com)

LIT2809 Rev 2

C15 Printed in U.S.A.

©Hach Company, 2015. All rights reserved.

*In the interest of improving and updating its equipment,*

*Hach Company reserves the right to alter specifications to equipment at any time.*



Be Right™